

LD10236

2 x LED Up And Down Wall Washer



Data sheet - Page 1



Design: Stan Baxter Lighting Design Project: Private Residence Product: LD10236

A compact, high quality wall washer with excellent output. The LD10236 has a very minimal design ensuring it will blend into most interior and exterior project styles. Low glare has been achieved by setting the LED back into the fitting which is then held in place by a matt black anti glare ring. It has been used for general illumination and creating effects around buildings, as well as an extensive list of interior projects. It is available in a range of finishes.

Key Features

- LED and lens assembly recessed within a black anodised body for reduced glare
- High quality machined components
- Interior or exterior use
- Minimal aesthetic enabling it to fit into most project styles
- Discreet fixing with two grub screws behind the body
- Single optic produces a very consistent beam with no multiple shadows
- Narrow 10° spot is available for lighting columns and arches or an oval 15°x 30° spreader lens which is ideal for wall washing
- RGBW LED option uses a larger optic, for a premixed light beam immediately adjacent to the fitting
- Available with Switch, 0-10V, DMX, Dali or Mains dimmable drivers



Specification

Applications



Beam Angles

10°, 15°x 30°

LED type

2 x Cree MKR 4 die LED with 2 Step Easy White binning

Please note, data below is for 2 LEDs

	2700K / 3000K/ 4000K		5000K	
	350mA	500mA	350mA	500mA
Colour temperature				
Current	350mA	500mA	350mA	500mA
LED power (Max)	10W (8.8W)*	14W (12.6W)*	10W (8.8W)*	14W (12.6W)*
CRI	85	85	80	80
Forward voltage (V) ₁₀₀	31.2V	31.6V	31.2V	31.6V
Delivered lumens (L ₁₀₀)	690	938	738	1004
Lumens per circuit watt	78	74	84	80

LED lifetime (to 70% lumen maintenance)

50,000hrs at a max ambient temperature of 35°C (if higher ambient then run at 350mA up to 45°C)

Glass

3mm thick borosilicate

Materials

Anodised aluminium body, with stainless steel fixing bracket

Wiring

Comes pre-wired with 2 core 1m lead. Can be specified with up to 10m at extra cost.

IP rating

IP67

*LED wattage includes losses associated with using an 85% efficient driver

LD10236

2 x LED Up/Down Wall Washer



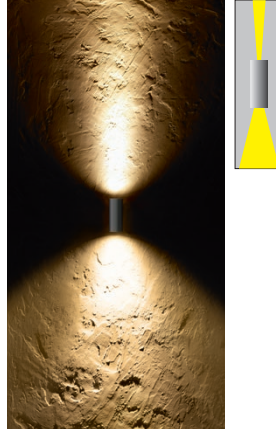
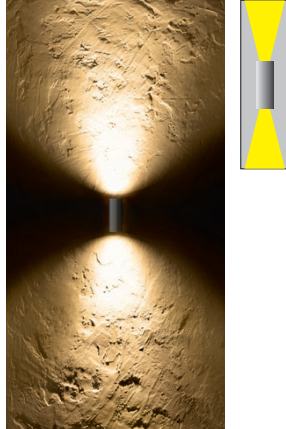
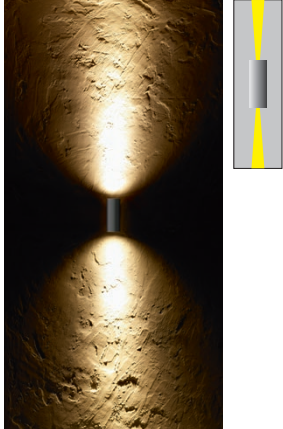
Data sheet - Page 2

Lens Options

/NB - 10° narrow

/OB - 15°x 30° spreader

/NB /OB - 10° spot (upwards) and 15°x 30° spreader

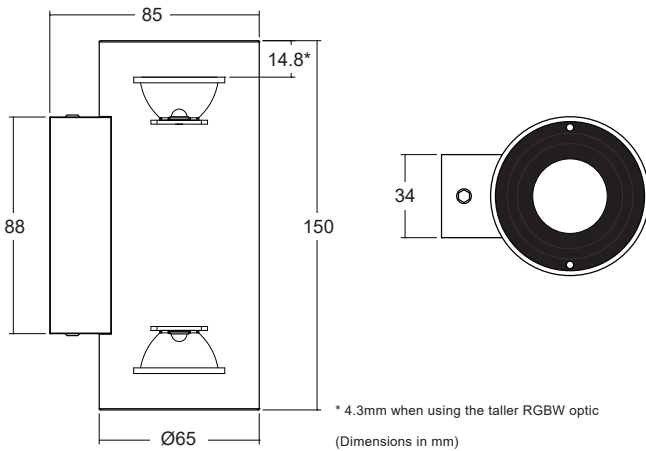


The 15x30 spreader is ideal for washing light along a pathway, either optic can then be used to light upwards depending on the desired effect.

Photometrics

Photometric files are included in the design pack which can be downloaded from the LD10236 product page on the website.

Dimensions



Finish Options

A range of finishes are available. Painted and anodised finishes are both suitable for exterior applications. However for harsh environments anodised is more hard wearing.

Silver Anodised

Polished and Chemically Brightened

Paint Finish White

Paint Finish Black



Order Codes and Options

Product code	LED colour	Lens angle(s)	Finish
LD10236 -350 -500			

Example: LD10236-500 / LW30 / NB / OB / Silver Anodised

Product codes with output options

10W 350mA	LD10236-350
14W 500mA	LD10236-500

LED colour options

LED colour options	Suffix
Extra Warm White (2700K)	/LW27
Warm White (3000K)	/LW30
White (4000K) - on request	/LW40
Cool White (5000K)	/LW50
RGBW (4000K White)	/RGBW

Lens options

Lens options	Suffix
10° narrow	/NB
30° medium	/MB
50° wide	/WB
15° x 30° spreader	/OB
Different beam angle at each end	/** /**
RGBW LED comes with a 26° lens	

Finish options

Silver anodised
Chemically brightened (stainless steel effect)
Paint finish black / white (RAL 9016) / RAL

Use with 350mA or 500mA remote constant current LED drivers

For our complete range of LED drivers please download the data sheet from the downloads section at www.lightgraphix.co.uk